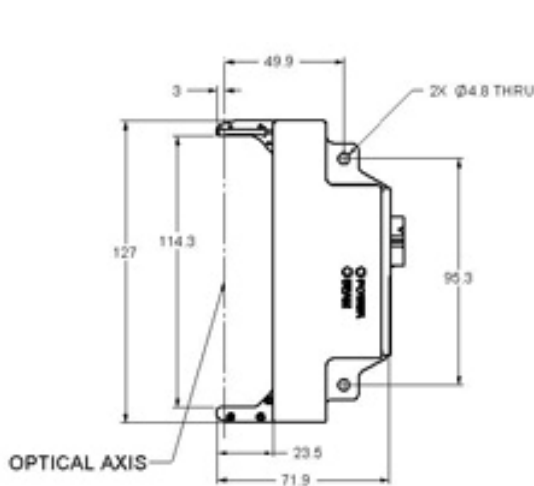




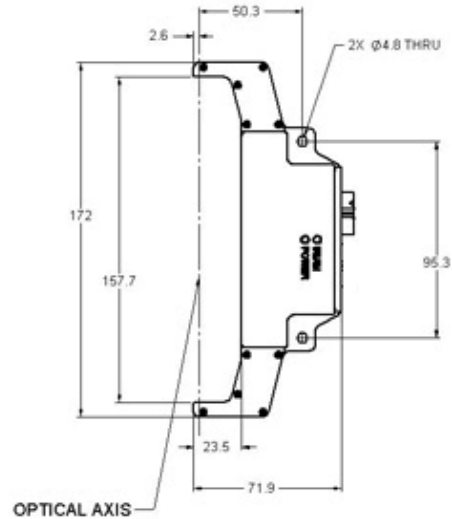
TB-150/200/300

These thru-beam laser sensors are designed to handle the majority of applications related to wafer mapping, aligning and positioning. The sensors prevent **ALL** wafer misplacements - stacked, cross-slotted and empty slots.

TB-150/200/300 are highly reliable sensors that could be easily integrated into any wafer-handling tool such as FOUP opener, vacuum end-effector, electrical edge gripper, etc.



TB-150/200



TB-300

Thru-beam Sensor Model 300 Specifications	
NPN Open Collector	100mA
Laser Class	Class 1
Power	24VDC / 45mA
Optical Modulation Frequency	7kHz
Wavelength	680nm
Response Time	0.8ms
Dimensions	172x80x19mm
Weight	130 gram
Ambient light protection	Incorporated
Operating temperature	0° to 60°C
Operating humidity	35 to 85 %